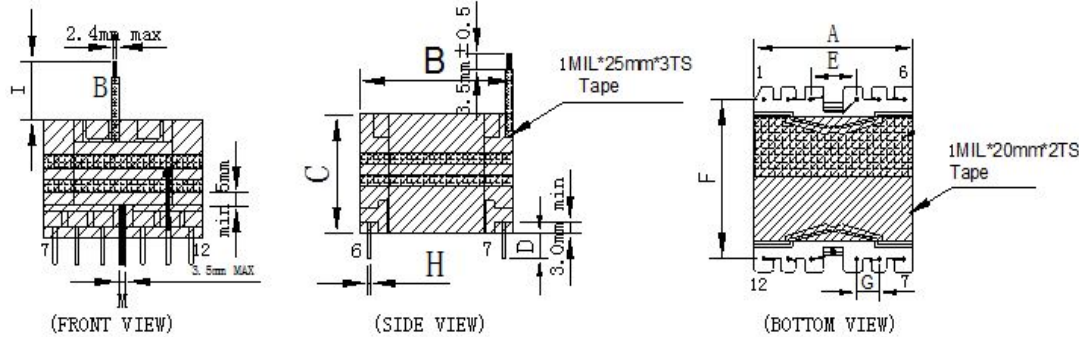


CUSTOMER TERMINAL	ROHS	Lead(Pb)-free
	YES	YES

1. Mechanical Dimensions



A	29.0	MAX
B	30.5	MAX
C	26.5	MAX
D	3.5	±0.5
E	7.6	±0.3
F	25.4	±0.4
G	3.8	±0.3
H	0.60	±0.1
I	43.0	±2.0

3. Material List

Core:FW44 PQ2625

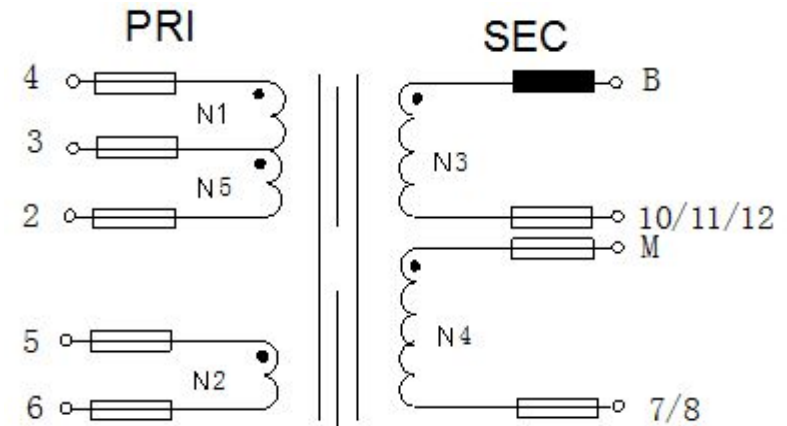
Bobbin:FWB2602(6+6PIN)

Wire:2UEW TIW LITZ

Copper foil: 0.025t*6.0/8.0mm

Operating Temperature: -30 to115 °C

2. Schematic Diagram



4. Electrical Specification

Inductance: L(4-2):800uH±5% 60KHZ , 1V

Leakage Inductance : 6uH MAX 60KHZ , 1V

DCR: (2-4)=270.8mΩMAX

Hi-Pot:P-S: AC 60Hz 4000V 1.0mA 3S

P-CORE: AC 60Hz 4000V 1.0mA 3S

REV.	DATE	<p>Convention Placement</p>	DRW.	Drawing Title:	Part No:		
0	00/00		CHK.			TRANSFORMER	FWPTPQ2625V801J-2
			APP.			Customer P/N	Specification Sheet 1of 1
ROHS		www.ferriwo.com					